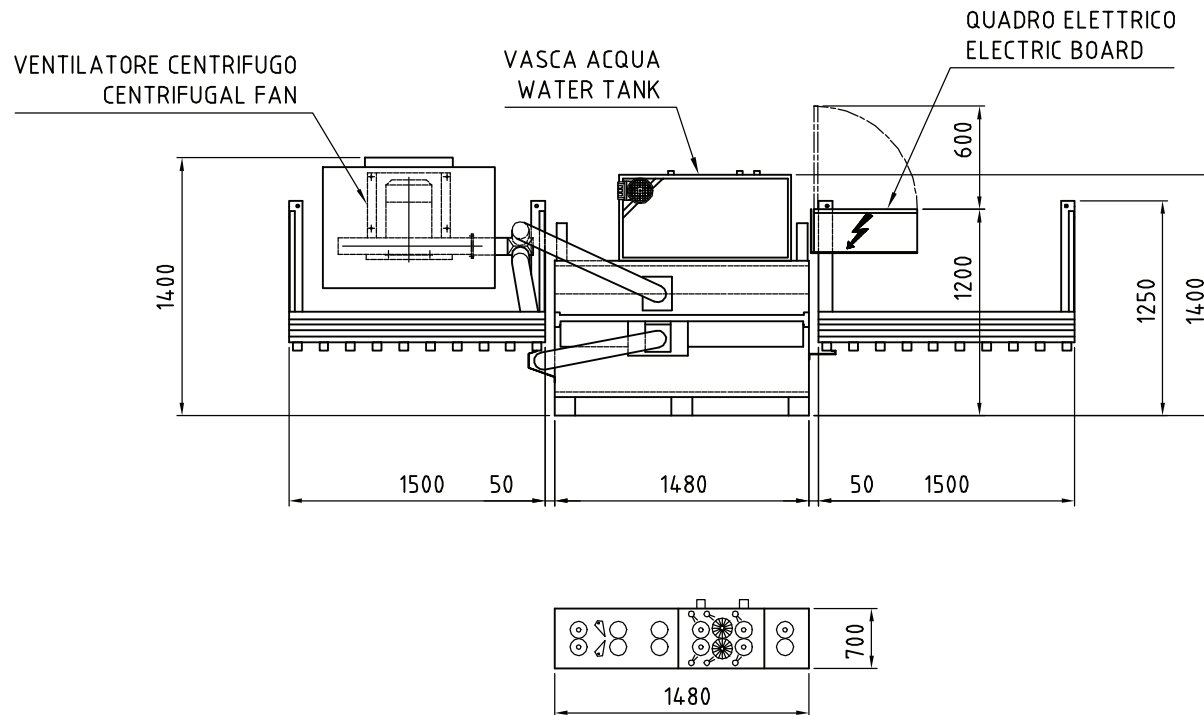


← INSERIMENTO VETRO
GLASS INLET



OT 1600/200/2S

