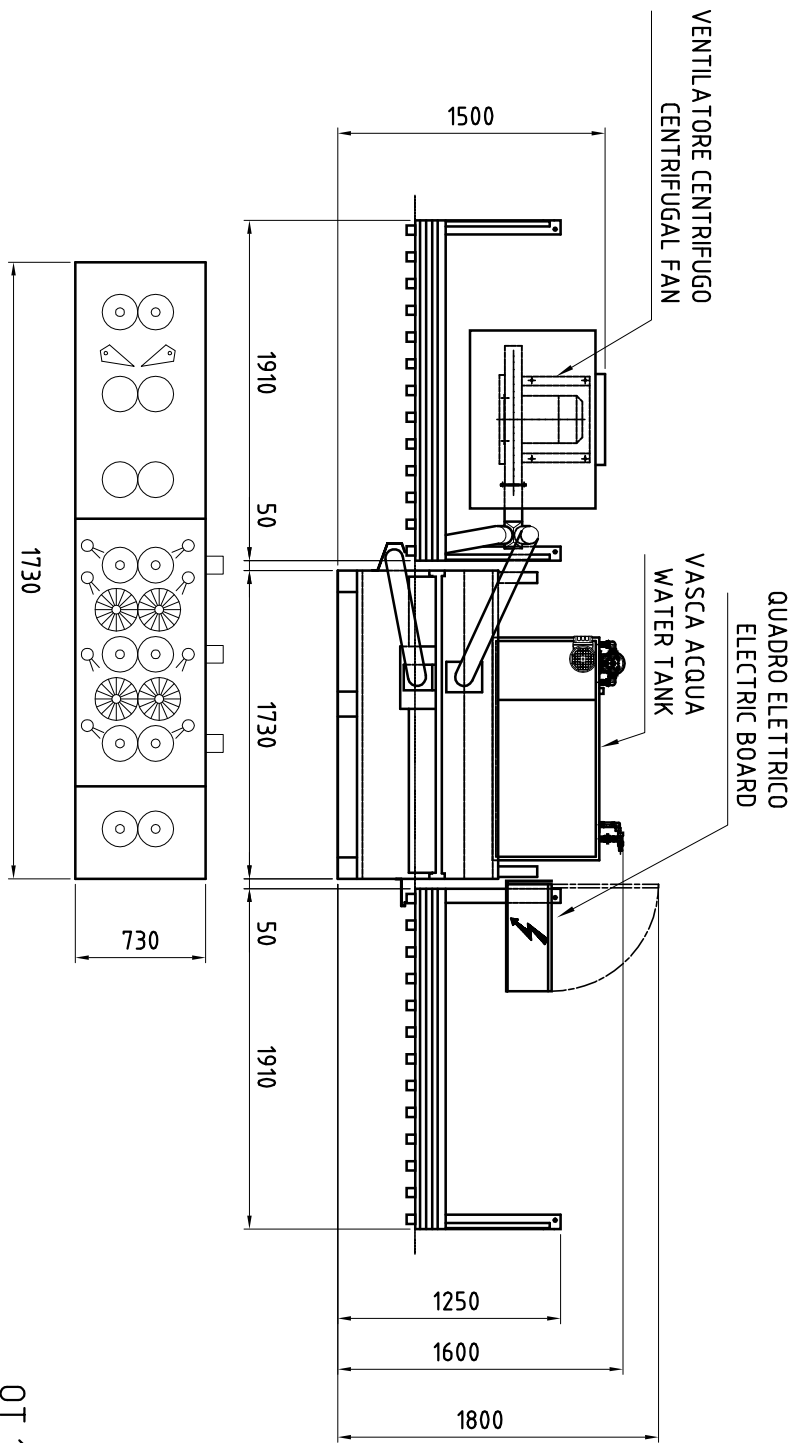


INSERIMENTO VETRO  
GLASS INLET



OT 1600/200/4S

