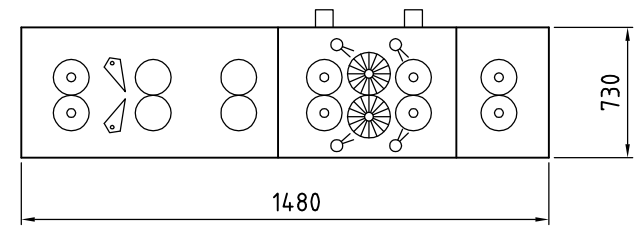
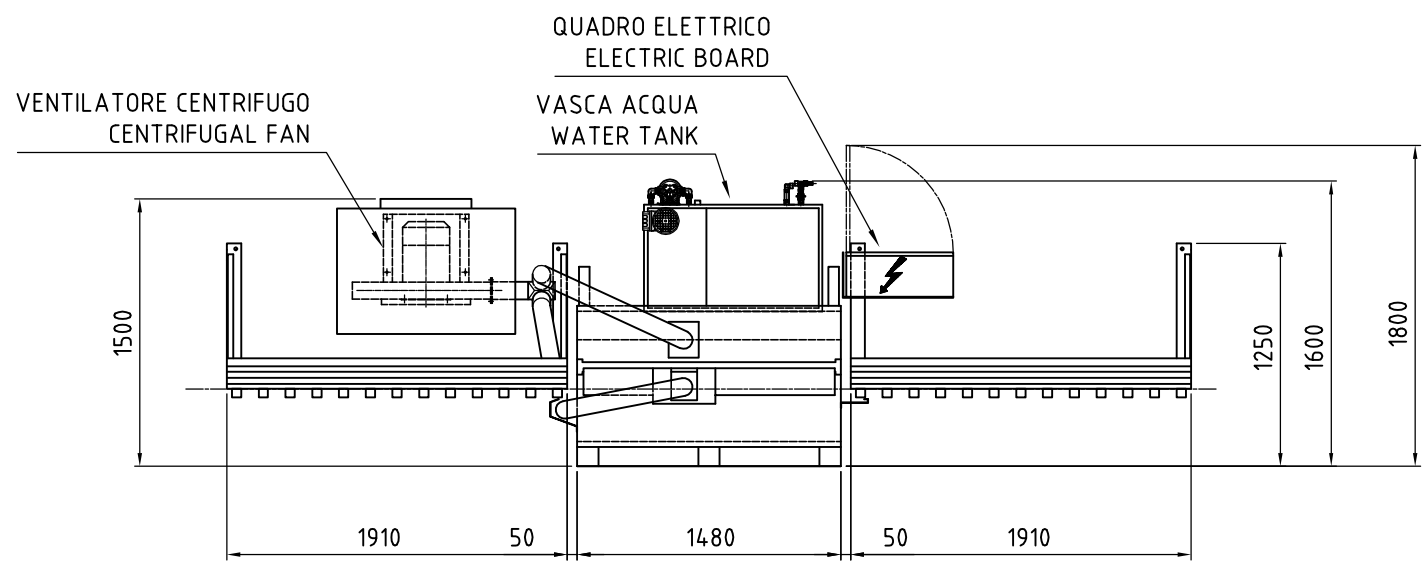


← INSERIMENTO VETRO  
GLASS INLET



OT 1600/200/2S



COD.DIS.93060039E