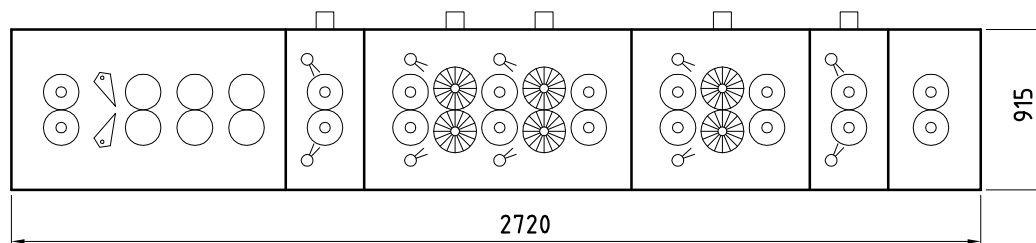
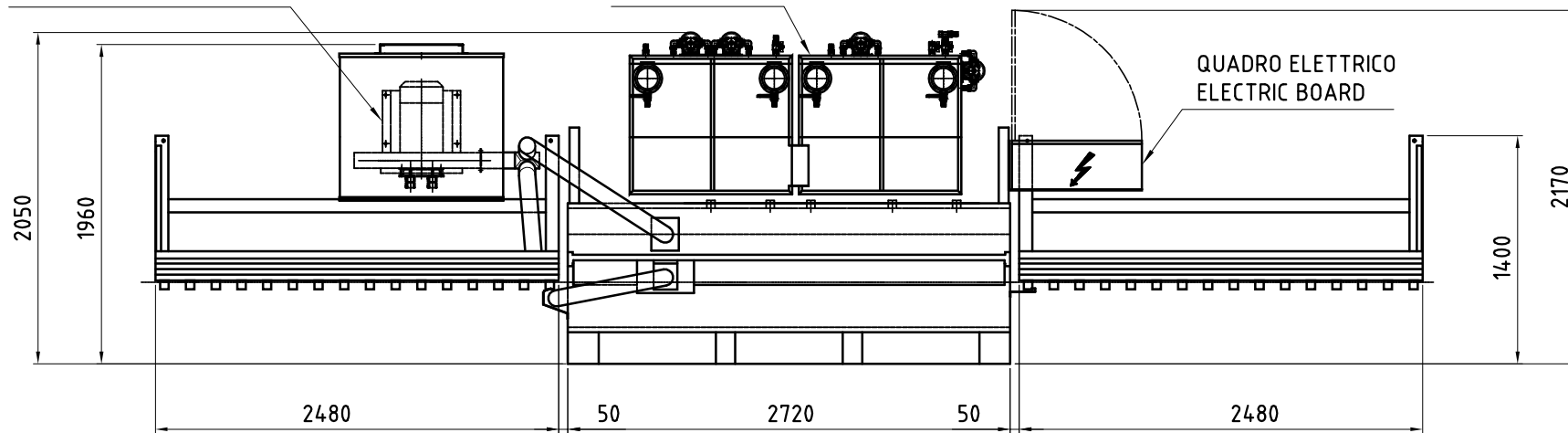


VENTILATORE CENTRIFUGO  
CENTRIFUGAL FAN

VASCHE ACQUA  
WATER TANKS

QUADRO ELETTRICO  
ELECTRIC BOARD



OT 2000/500/6S

COD.DIS. 93060197A